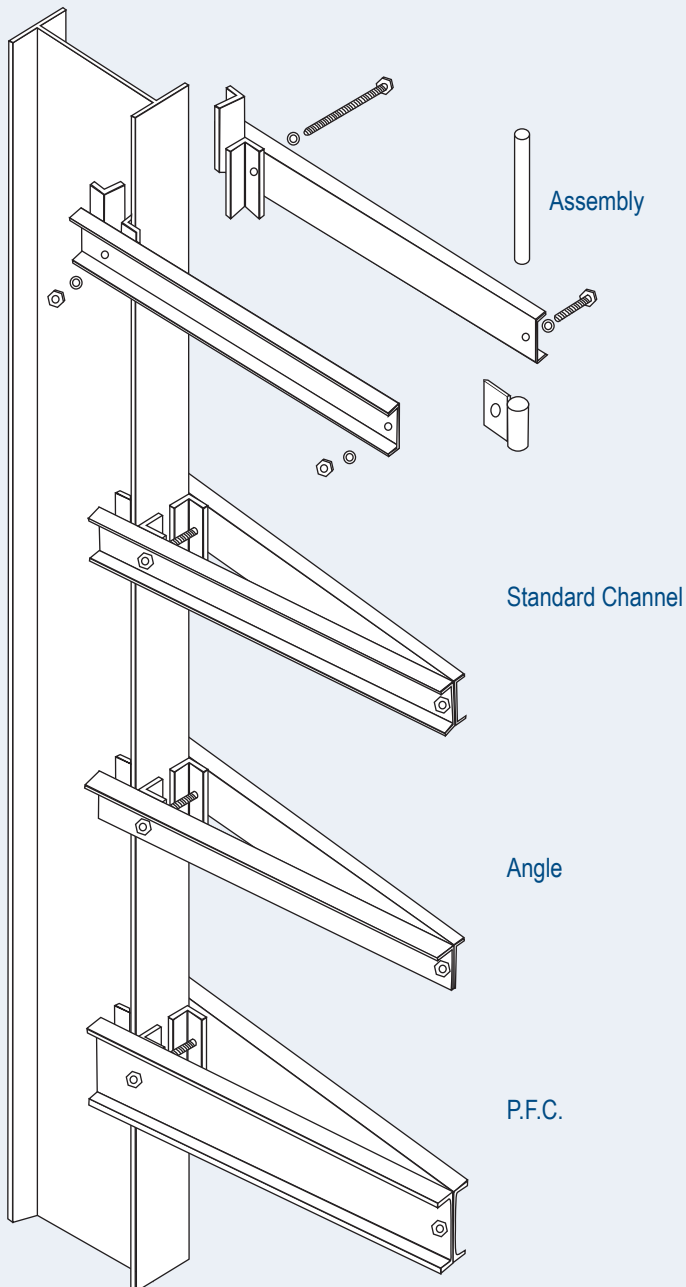




CANTILEVER RACKING SYSTEM

CANTILOCK® ADJUSTABLE



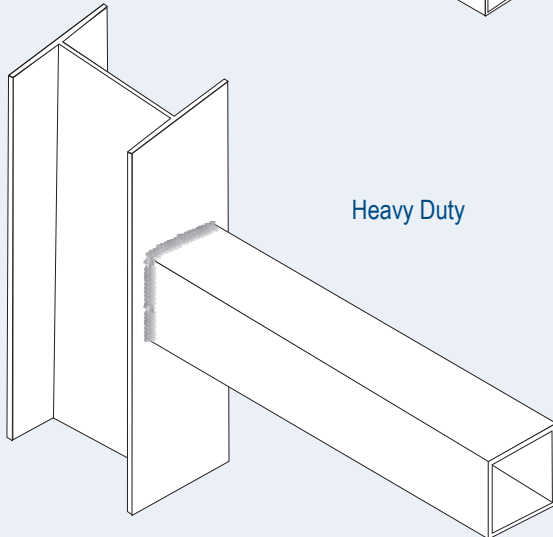
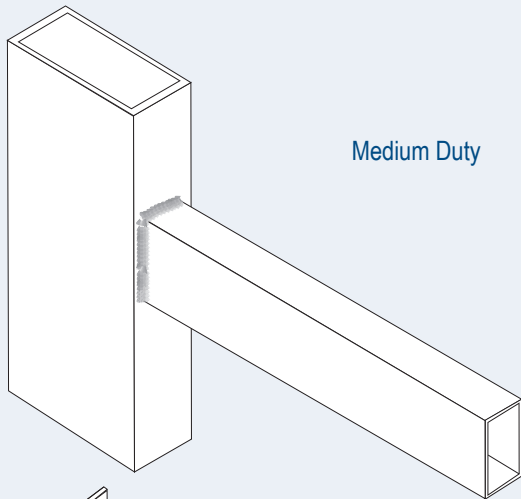
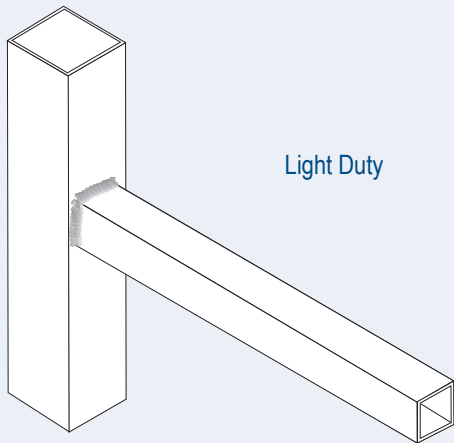
Features and Benefits

- Infinitely adjustable arms
- Wide load bearing surface of arms helps protect stock from load pressure damage
- Heavy structural steel components give high resistance from impact damage
- Ideal for long, irregular and mixed loads
- Arm profiles allow maximum load capacities while retaining maximum storage space
- Arms are easily adjusted/relocated
- The greater the load, the stronger the arm grips the column
- Standard arm lengths up to 1500mm (Longer is achievable)
- Standard column heights up to 8000mm (Higher is achievable)
- Optional removable end stops
- 6 upright profiles & 3 arm profiles ensures economical maximum capacities
- Painted finish, black columns/bases/bracing & safety orange arms is standard
- Galvanised finish is available for corrosive areas or outside applications



CANTILEVER RACKING SYSTEM

CANTILOCK® FIXED



Features and Benefits

- Fixed, fully welded arms
- Load capacities from light duty up to heavy duty
- Ideal for long, irregular and mixed loads
- Circular tube arms also available
- Radiused edges on arms help protect stock from load pressure damage
- Column and arm profiles to suit virtually any load requirements from light to heavy duty
- Standard arm lengths up to 1500mm (Longer is achievable)
- Standard column heights up to 8000mm (Higher is achievable)
- Optional removable end stops
- Painted finish, black or safety orange is standard
- Galvanised finish is available for corrosive areas or outside applications

